



CLAVIS Deutschland GmbH
Grüner Weg 38
34117 Kassel

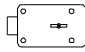


Telefon: +49 (0)561 988 499-0
E-Mail: info@tresore.eu
Internet: www.tresore.eu
www.tresorschloss.de

Mounting instructions 70076 Variator B, 70079 Praetor B






These mounting instructions are the basis for the approval by ECBS, VdS, A2P (CNPP)- DNV, UL. Installation of the lock to be performed exclusively in accordance with these instructions. Guidelines of the national certification bodies are to be considered and complied with in addition.

- The lock can be mounted in the following positions:
 - **RH version (standard version):**

Lock mounting position	
Bolt left, keyhole horizontal	
Bolt downwards, keyhole vertical	
Bolt upwards, keyhole vertical	

- **LH version (special version for LH applications):**

Lock mounting position	
Bolt right, keyhole horizontal	
Bolt downwards, keyhole vertical	
Bolt upwards, keyhole vertical	

- Any variation of the lock or key may result in functional trouble and must better not be done. All claims under guarantee and warranty will expire in this case.
- Prevent the ingress of dirt into the lock.
- Lock fastening: Use of M6 steel socket head cap screws or BSW 1/4" steel bolts. The length of engagement must correspond to the applicable standards considering the thickness of the lock of 30 mm and the screwing height of the lock case of 29 mm.
- Fastening screws: minimum property class 4.8 and maximum property class 8.8.
- Screws to be secured either by lock washer, flat spring, tooth lock washer, fan type lock washer considering the diameter (d1) or to be cemented.
- Screw tightening moment: minimum 5 Nm and maximum 6 Nm.
- The bolt must be floating in installed condition.
- Perfect function of the lock and of any additional connected or triggered systems (e.g. boltworks) must be warranted and checked by specialists during installation of the lock.
- Use of the Kaba Mauer key guide (see Fig. 1) or of the Kaba Mauer key carrier guide (see Fig. 2) is recommended. Considering DIN 2768-mH, the keyhole in the door of the secure storage unit should be dimensioned accordingly (see Fig. 1 or 2).

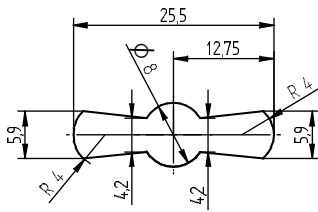


Fig. 1: Key guide 86101

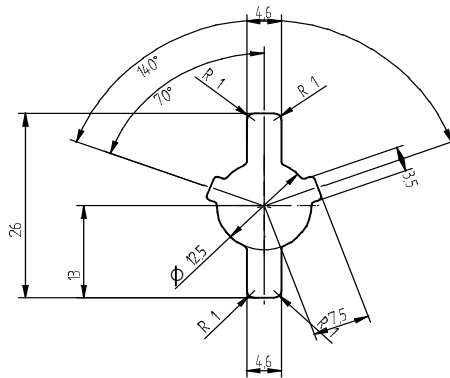


Fig. 2: Key carrier guide 86102

- In cases where the Kaba Mauer key guide or key carrier guide are not used, the maximum cross sectional area of the keyhole in the door of the secure storage unit and/or the lock armour plating may not exceed the dimensions given in Fig. 3 considering DIN 2768-mH. All dimensions deviating from these specifications are to be coordinated separately with the certification bodies (test houses).

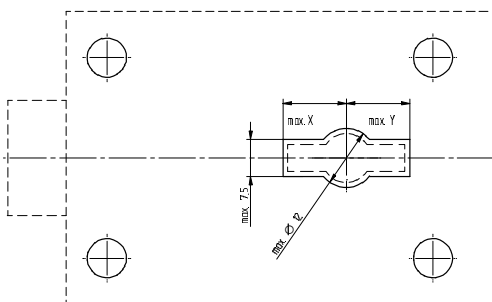


Fig. 3: Max. cross sectional area of keyhole

Variator B / Praetor B	X (mm)	Y (mm)
70076/79	13.5	13.5

- For installation and adjustment of the lock on the door, make sure that the key can be inserted into the lock without having to apply force and without jamming. This can be achieved by mounting the lock according to the following pattern of mounting holes (Fig. 4). For further lock dimensions please refer to the Kaba Mauer Catalogue Sheet.

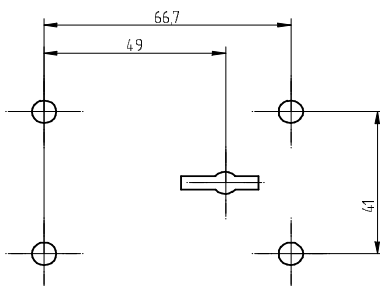


Fig. 4: Fastening hole pattern

Technical data:

- Lift height of bolt 12 mm
- Bolt in fully extended position: approx. 14mm
- The maximum allowable force acting on the key bolt against the blocking direction, the maximum locking force and the lateral load acting on the bolt, correspond to 1 kN and should not exceed this value. Provision should be made design wise for bolt stoppers on both ends or for a bolt support.
- The actuating turning moment on the key may not exceed 2.5 Nm
- Fastening of the boltwork: via two M4 threads on the front end of the bolt head
- Optional fastening of the boltwork: via an adapter plate with drift pin in the bolt head